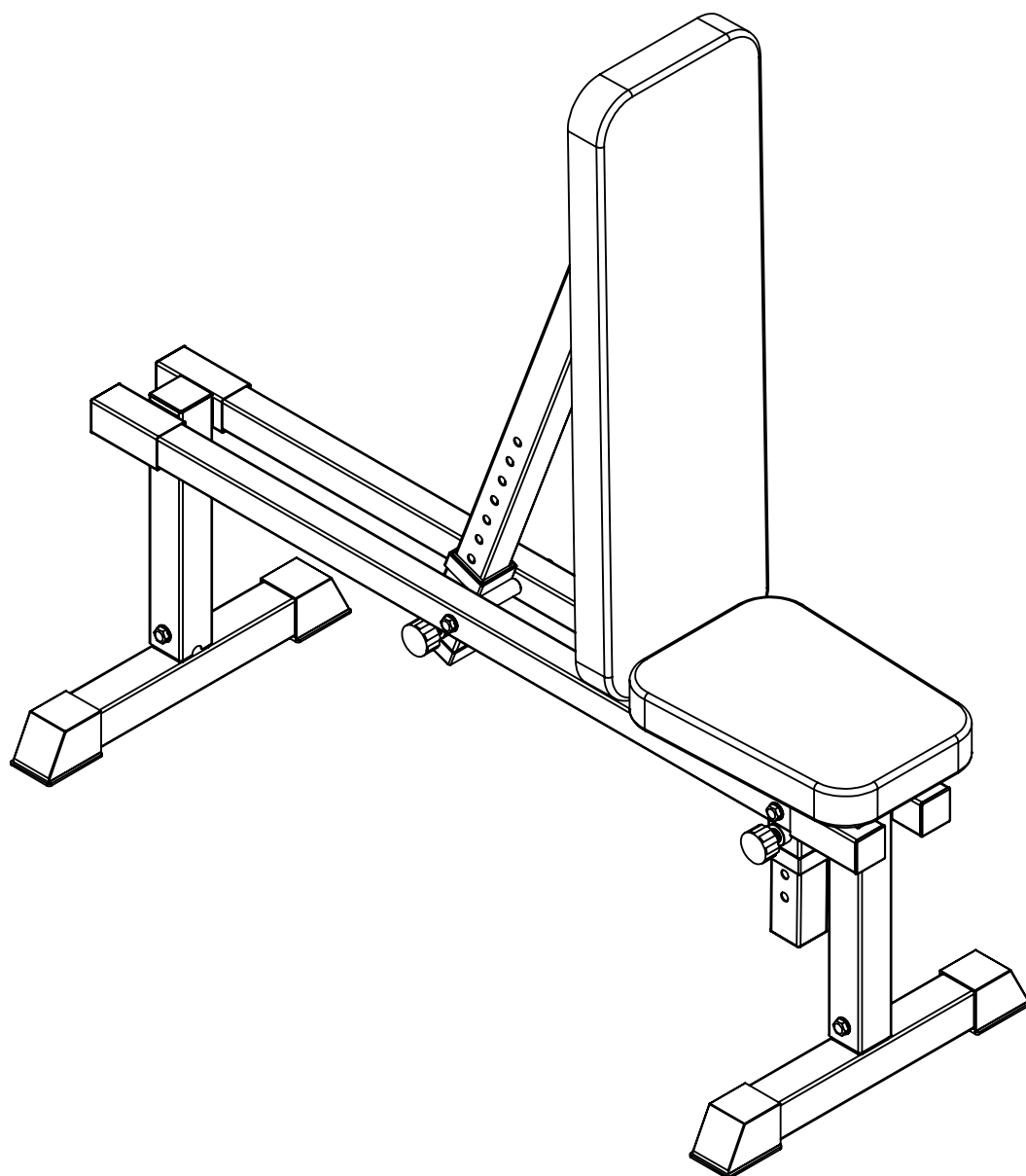
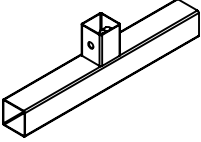
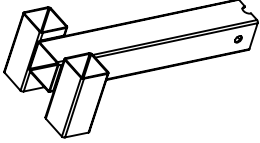
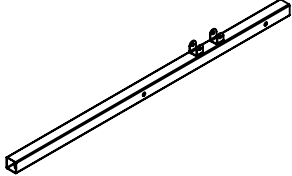
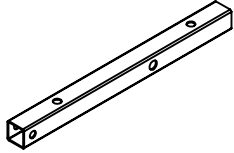
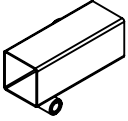
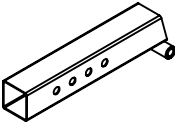
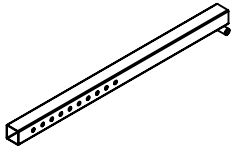
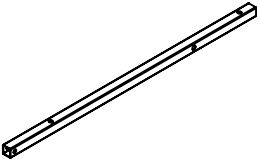
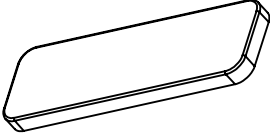

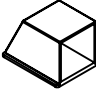

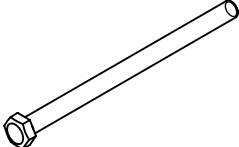
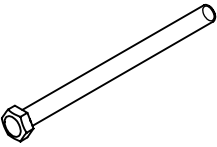
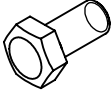
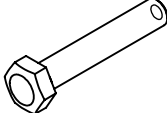
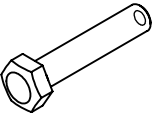
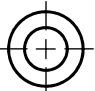
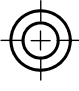




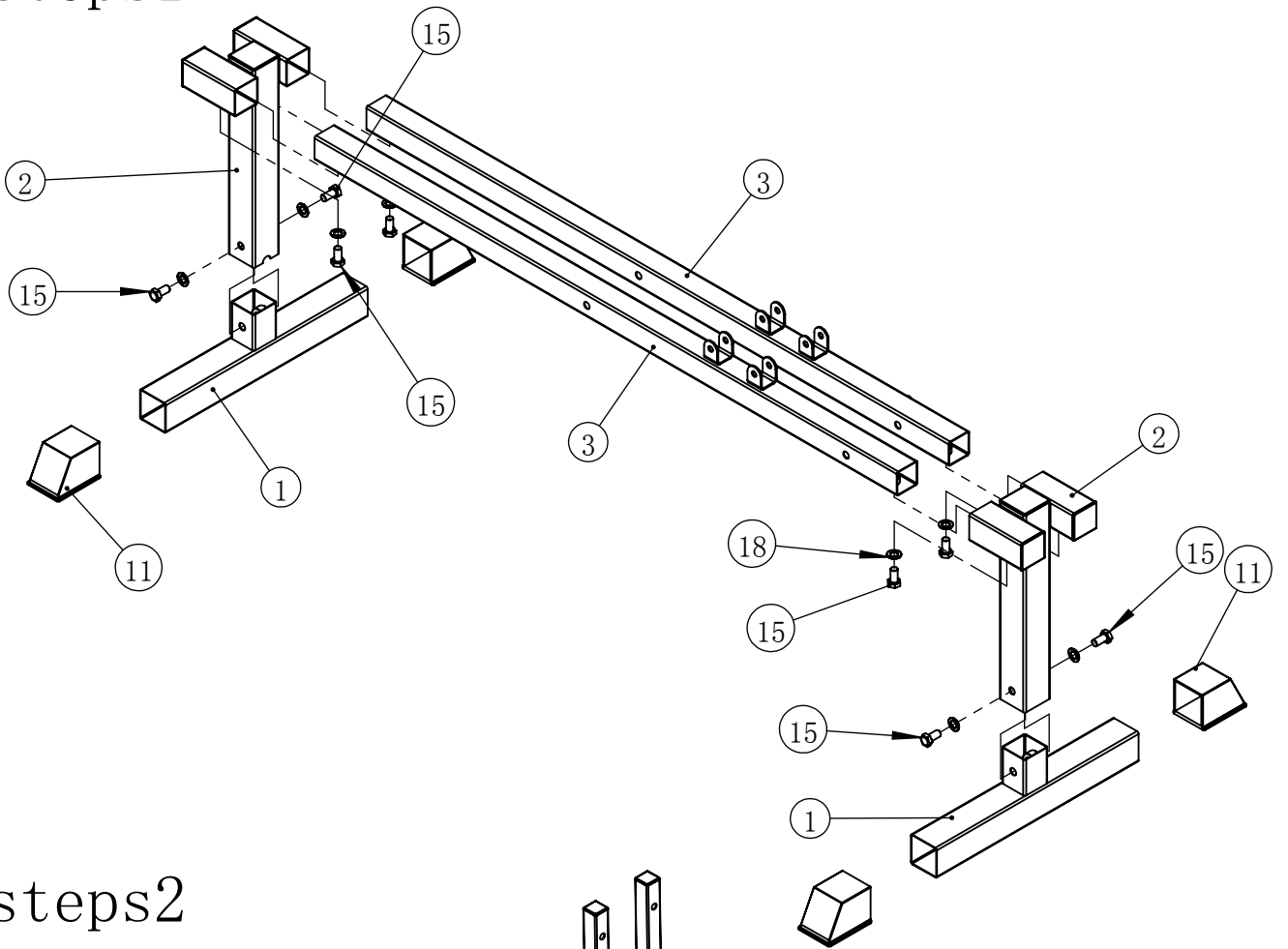
EPSILON



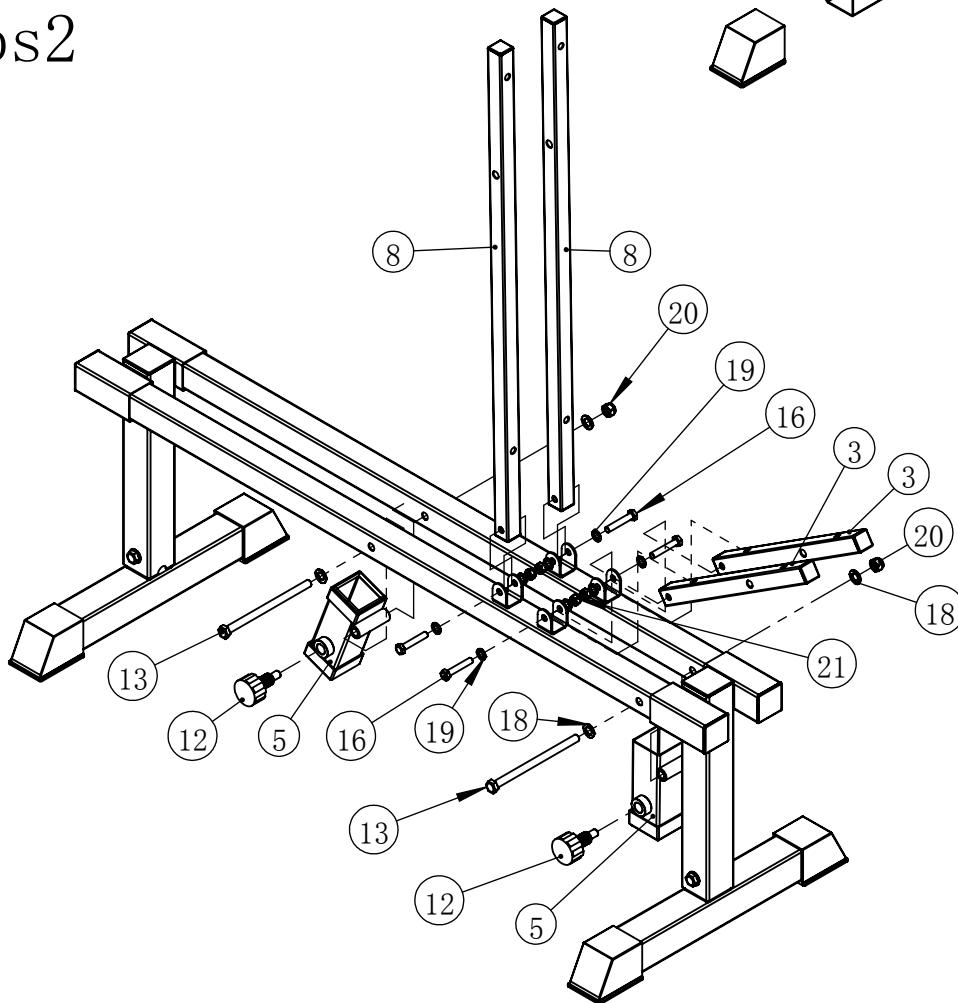
parts

<p>1</p>  <p>X2</p>	<p>2</p>  <p>X2</p>	<p>3</p>  <p>X2</p>	<p>3</p>  <p>X2</p>
<p>5</p>  <p>X1</p>	<p>6</p>  <p>X1</p>	<p>7</p>  <p>X1</p>	<p>8</p>  <p>X2</p>
<p>9</p>  <p>X1</p>	<p>10</p>  <p>X1</p>	<p>11</p>  <p>X4</p>	<p>12</p>  <p>X2</p>
<p>13</p>  <p>M10X155-2</p>	<p>14</p>  <p>M10X140-2</p>	<p>15</p>  <p>M10X20-8</p>	<p>16</p>  <p>M8X45-4</p>
<p>17</p>  <p>M8X40-8</p>	<p>18</p>  <p>ϕ 10-16</p>	<p>19</p>  <p>ϕ 8-16</p>	<p>20</p>  <p>M10-4</p>
<p>21</p>  <p>M8-4</p>			

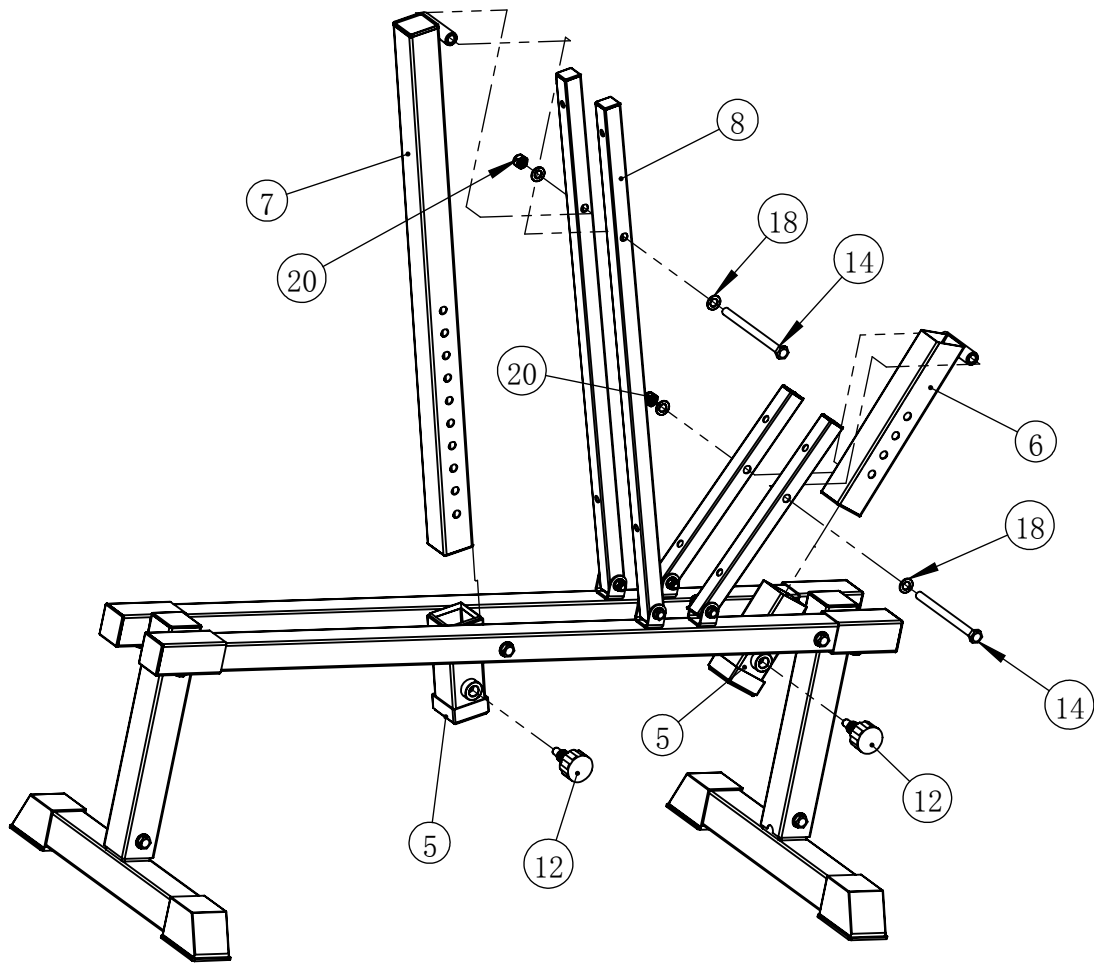
steps1



steps2



steps3



steps4

